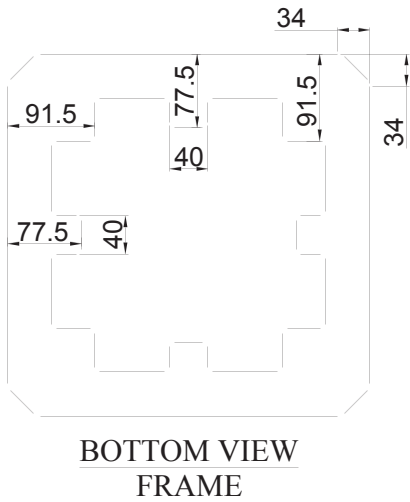
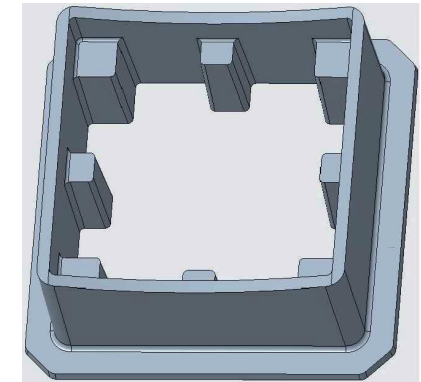


EN124-2
D400
TEKTAR



Drawn By	Chk. By	Eng. No. -	Weight - Total / SET - 50 Kg GRATE - 20 Kg FRAME - 30 Kg
Name		Kourulaattakansisto	
Date		Drawing Description -	Material -
Sign		315 x 315 mm, h = 150 mm	C.I. (GG25)
Coating -	BLACK BITUMEN		
Loading -	D400		
Specification -	EN124-2		
Scale - NT	Sheet - 1 of 1		
All Dimensions are in MM			

TEKTAR