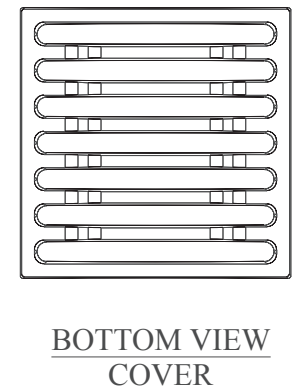
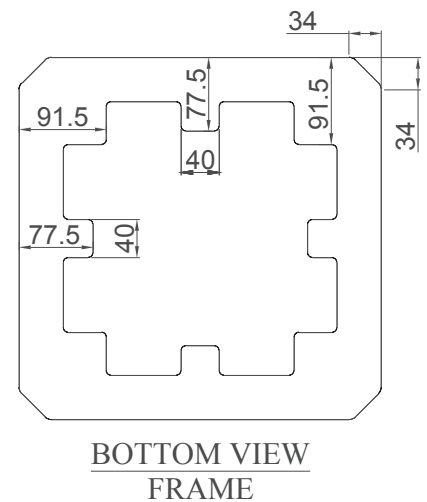
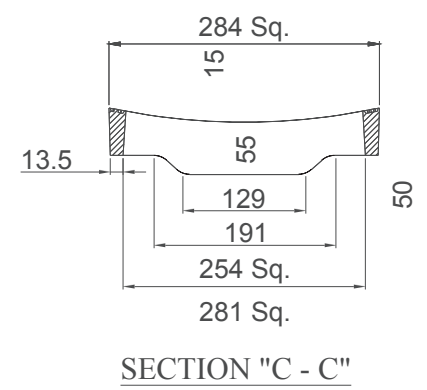
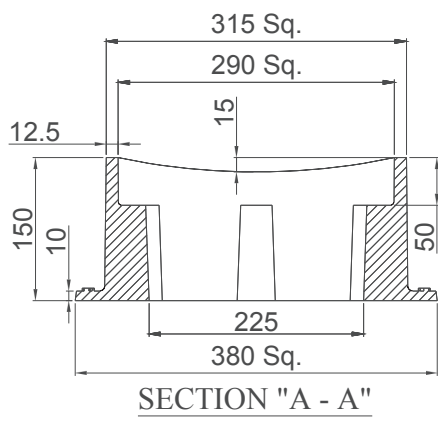
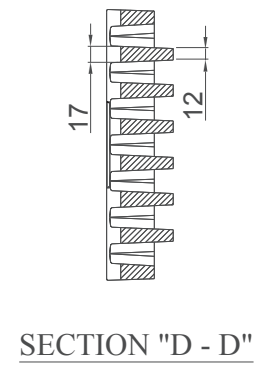
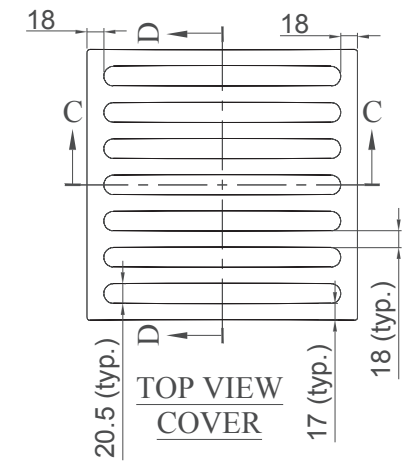
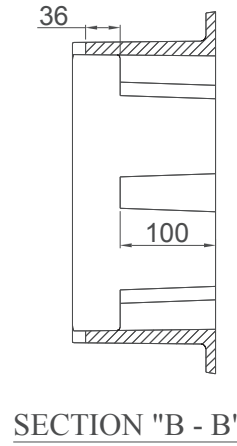
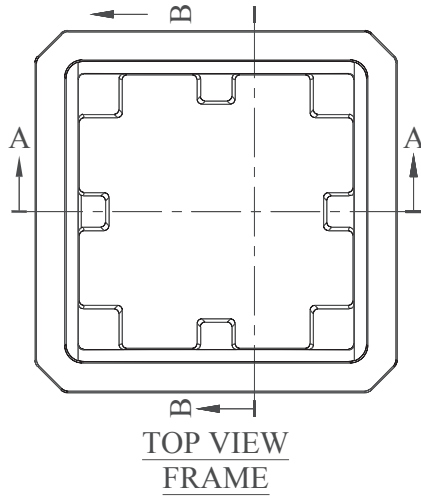
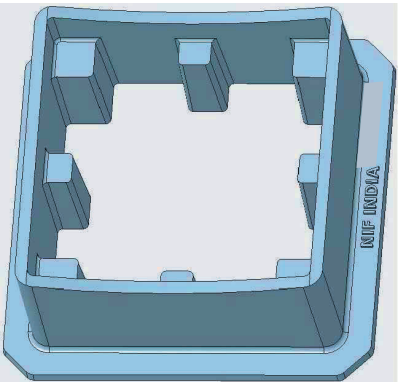
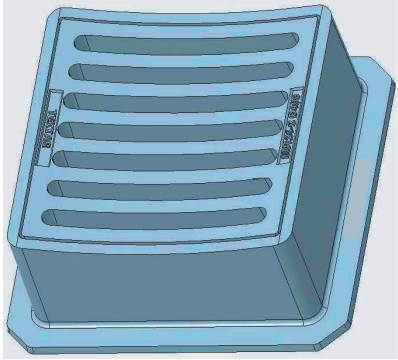


# D400 -kansisto, malli 315

Sopii yhteen markkinoilla olevien 315 mm leveiden betoni- ja kivilaattojen kanssa.

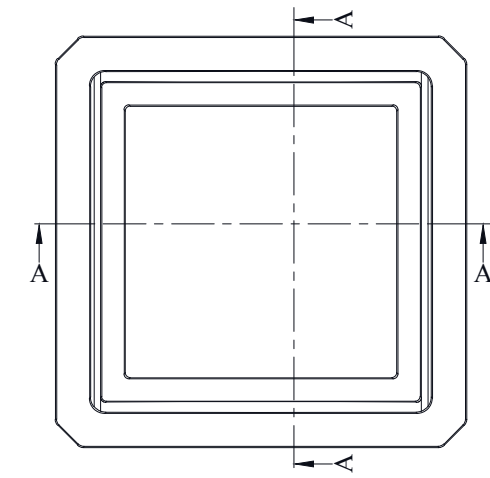
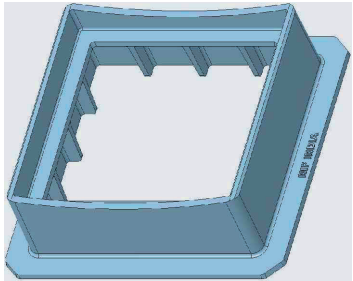
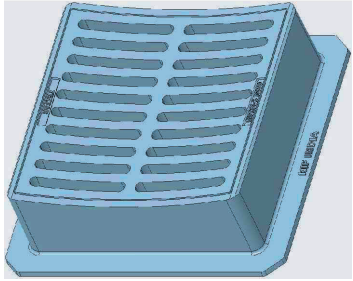


Drawn By	Ckd. By	Drg. No. -	Weight - (tol ± 3%)
Name		<b>Kourulaattakansisto</b>	SET - 50 Kg
Date			GRATE - 20 Kg
Sign		Drawing Description -	FRAME - 30 Kg
Coating -		315 x 315 mm, h = 150 mm	Material -
		BLACK BITUMEN	C.I. (GG25)
Loading -	D400		
Specification -	EN124-2		
Scale - NTS	Sheet - 1 OF 1		
All Dimensions are in MM			

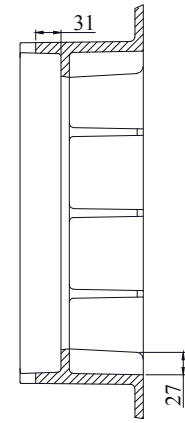


# D400 -kansisto, malli 415

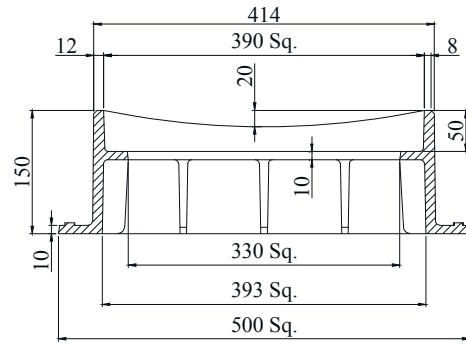
Sopii yhteen markkinoilla olevien 415 mm leveiden betoni- ja kivilaattojen kanssa.



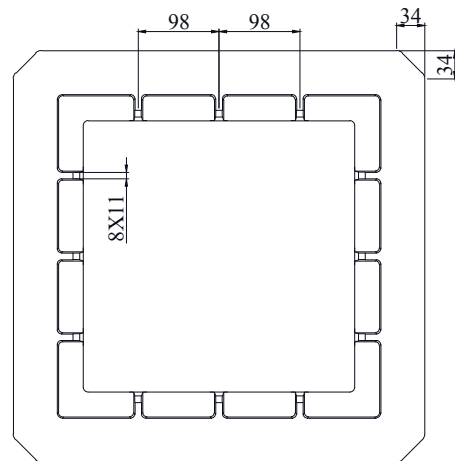
**TOP VIEW (FRAME)**



**SECTION "B - B"**

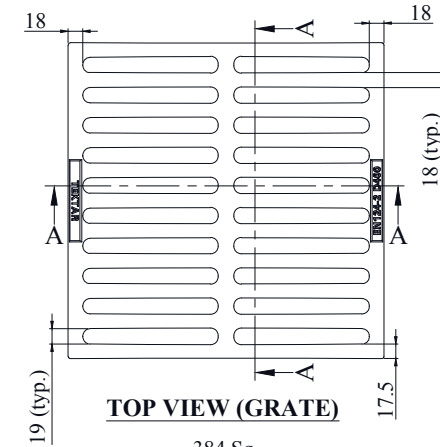


**SECTION "A - A"**

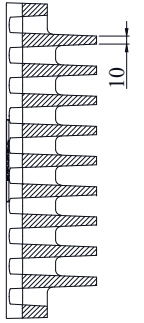


**BOTTOM VIEW (FRAME)**

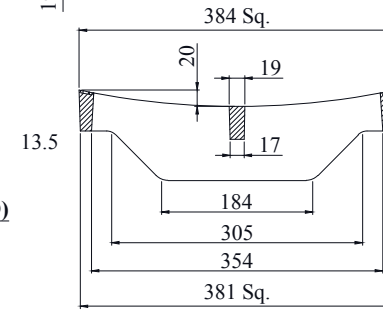
**GRATE MARKINGS  
(8 mm x 3 mm RECESSED RAISED)**



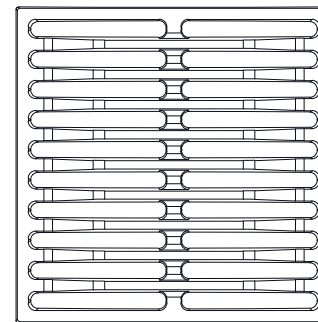
**TOP VIEW (GRATE)**



**SECTION "D - D"**



**SECTION "C - C"**



**BOTTOM VIEW (GRATE)**

	Drawn By	Ckd. By	Drg. No.-	Weight:- (tol±3%)
Name	T.S.	A.S.R.	2280 A F&G	SET - 65 kg
Date				GRATE - 33 kg
Sign				FRAME - 32 kg
Coating:-	Drawing Description-			Material-
BLACK BITUMEN	<b>Kourulaattakansisto</b>			C.I. (GG25)
Loading-	D400			<b>TEKTAR</b>
Specification-	EN124-2			
Scale.- NTS	Sheet.- 1 OF 1			
All Dimensions are in mm				